

ASSEMBLY INSTRUCTIONS

IMPORTANT:

WE ADVISE YOU TO ASSEMBLE THE TENT ONCE BEFORE GOING CAMPING TO ASSURE THAT ALL PARTS ARE PRESENT AND TO BECOME FAMILIAR WITH THE ASSEMBLY OF THE TENT.

Includes

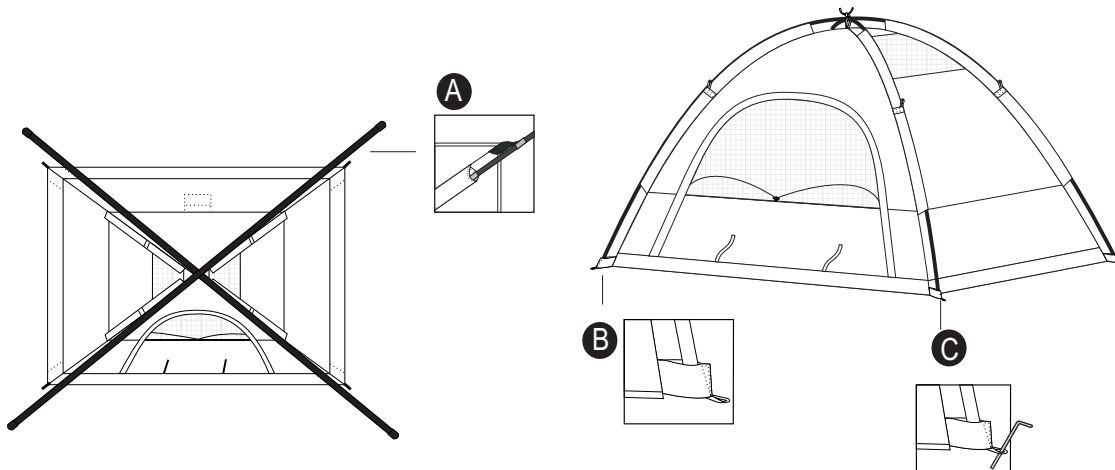


X 2



Step "1" tent setup (To prolong the life of the tent floor, select a level, clean area for the campsite)

- 1) spread the tent body on the ground
- 2) Fully open all poles.
- 3) Thread fiberglass poles thru poles sleeves atop of tent. (figure A)
- 4) Insert pole into pocket. (figure B)



Step "2" attach the rainfly

- 7) Drape fly over tent.
- 8) Attach Velcro to poles. (figure G)
- 9) Hook corners of fly to the tent. (figure H)

