



Model # MT010
Tekman 1
7' W x 3.5' x 42" H

Model # MT011
Tekman 2
7' W x 5' x 48" H

Owner's Manual



IMPORTANT

We strongly suggest setting up your new tent before initial use to insure that all parts are present and to familiarize yourself with the tent's assembly. This will have a great effect on how well you enjoy your product and experience.

IMPORTANT

Though we take very seriously every tent perform according to our stringent requirements, we strongly recommend all tent seams be sealed using a water based sealer to avoid water leaking into tent from seams. For best results, seal seams from outside of tent.

ASSEMBLY INSTRUCTIONS

Frame Parts



Fiberglass Poles

Stakes

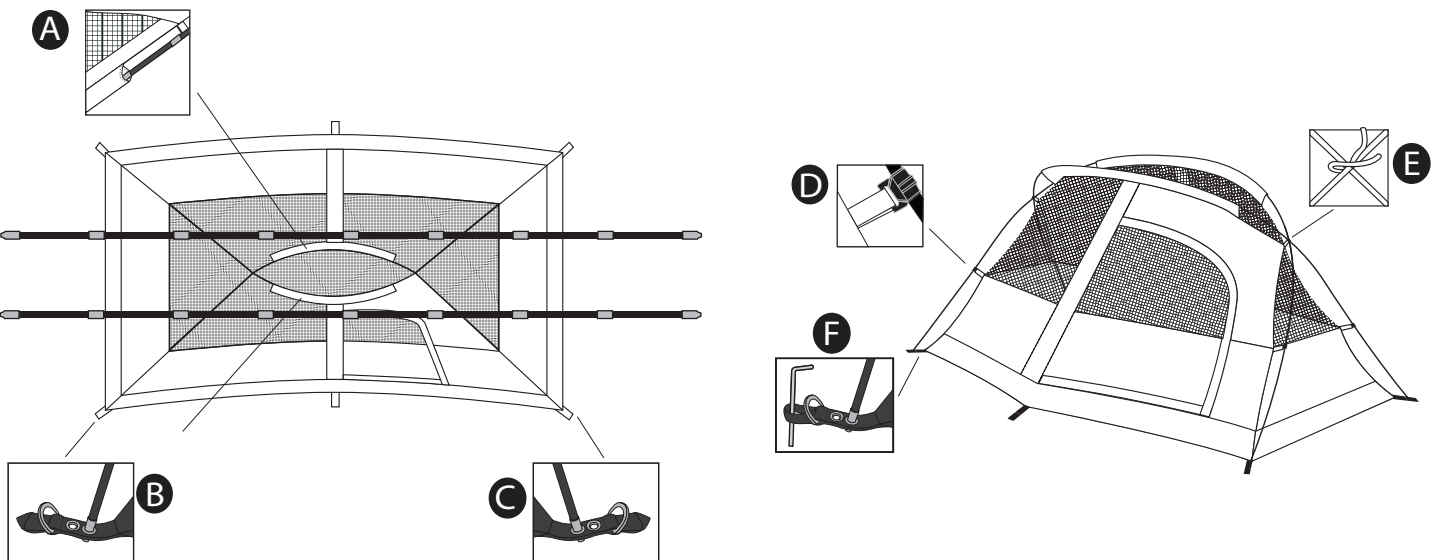


Step 1- TENT SET UP

To prolong the life of your tent floor we suggest using a ground cloth cut slightly smaller than the floor of your tent and that you select a clean level area for your campsite.

- 1) Spread the tent body out on the ground.
- 2) Fully open both of the poles.
- 3) Carefully thread each pole through the pole sleeves located on top of the roof of tent (**Figure A**).
- 5) Starting with one pole, insert the pole end into the corner strap grommet located on bottom corner of tent. Be sure to insert end into the grommet closest to tent (**Figure B**). Bend pole and insert opposite end into the long side adjacent corner of tent (**Figure C**).
NOTE: unlike many dome tents which cross the poles at the center top, this tent has relatively parallel pole sleeves construction. Repeat for other pole on the other sleeve and corners. Your tent should now be erect.
- 6) Attach all of the pole clips to the poles (**Figure D**).
- 7) Tie the straps onto the poles (**Figure E**).
- 8) Stake the tent down (**Figure F**).

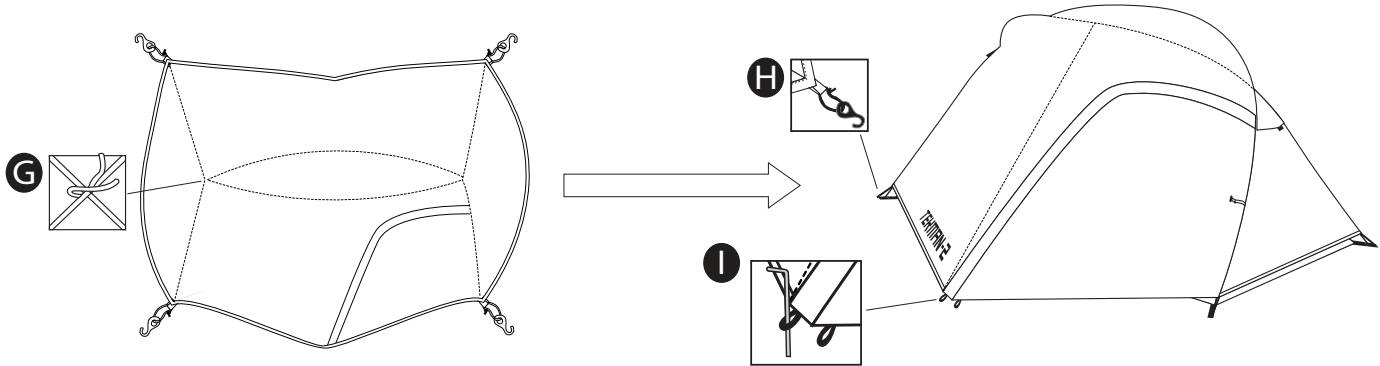
TENT SET UP DIAGRAM



Step 2- ATTACHING THE RAIN FLY

- 9) Open the rain fly and drape it over the tent body right side up. Ensure fly door is facing tent door.
- 10) Tie the inside of fly the poles (**Figure G**).
- 11) Attach the bungee cords of fly to the grommets at the bottom of each corner of tent using the hook provided (**Figure H**).
- 12) Pull door of fly out (away from tent body) to create the vestibule and stake down (**Figure I**).

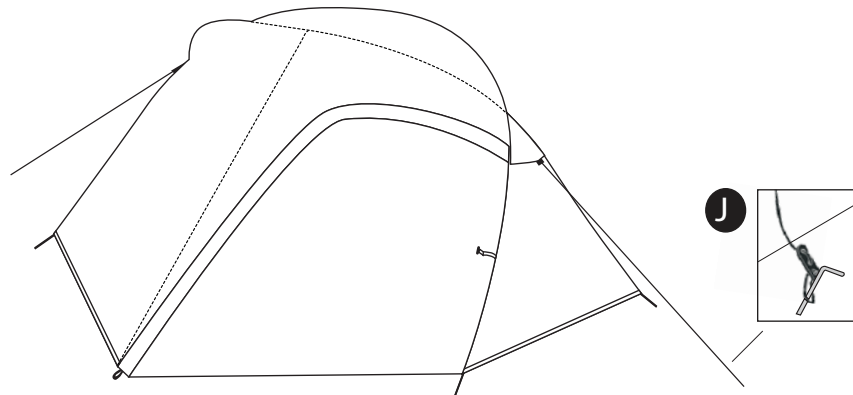
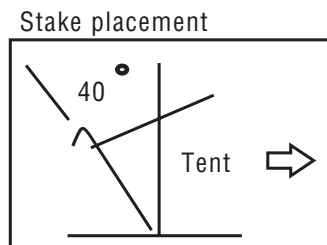
ATTACHING RAIN FLY DIAGRAM



Step 3- EXTRA STABILITY IN WINDY CONDITIONS

- 13) In windy conditions use the extra stakes and guylines to add extra stability (**Figure J**).

EXTRA STABILITY DIAGRAM



REPLACEMENT PARTS

Review your parts list to make sure all parts listed have been included in your package.

Model MT010 and MT011 Frame Parts



<u>Description</u>	<u>Qty</u>
Tent Body	1
Rain Fly	1
Pole	2
Steel Pegs	11
Guylines	2
Carry Bag	1
Pole Bag	1
Stake Bag	1

TIPS AND TRICKS

- In windy conditions wrap the fly bungee around the pole several times before hooking it to the ring, this will keep the rainfly from flapping.
- Be sure to FULLY close the door zippers in rainy weather as water can find it's way through an open zipper.
- At a minimum we suggest SEAM SEALING the seams at the bottom of the windows to insure that water won't come through the needle holes.
- When setting up your tent be mindful not to set it up underneath dead tree branches or limbs as these could snap off in windy conditions.
- In sandy soil a longer stake or a deadman such as driftwood or logs will work better than a normal stake. Bury the deadman at least a foot into the sand and attach both tent and deadman with the guylines.
- Carrying a combination of different types of stakes will make camping in different places easier and speed set up.
- Never pull on the tent to remove the stakes. This could result in tearing the fabric or seams of tent. Stakes should only be removed by pulling on stake itself.
- Refer to Troubleshooting guide on the following page for additional information.

CARE

Ultra Violet (UV) Exposure

Your tent is made of UV resistant polyester fabric which is resistant but NOT impervious to the damaging effects of long term sun exposure. We DO NOT suggest long term set up of ANY of our products as this will severely damage the tent fabric.

Seam Sealing

Gigatent suggests that at a MINIMUM the seams at the bottom of the windows should be sealed using a product like McNetts Seam Grip or a good water based tent sealer to prevent moisture from coming through the needle holes. Follow the manufacturer's instructions when applying seam sealer.

Structural Integrity

Although the tent was constructed to rigid specifications periods of wind and soaking rain may loosen the stakes and guylines to the point of allowing the rainfly to flap. This can in turn cause the poles to loosen weakening the overall structure. Loosening of the rainfly can also create pockets that can collect water which can lead to pole failure. To insure that this does not occur take care during windy or rainy conditions that all of the stakes and guylines are secure and tight.

Storage

DO NOT under any circumstances store your tent wet or damp. Mildew will quickly destroy a tents waterproof coating. Allow your tent to dry and then store in a cool dry place.

Washing Your Tent

NEVER machine wash a tent as this can cause damage to the waterproof coating. Hand wash with a mild soap and rinse with clean water and allow to COMPLETELY dry before storing. An extremely dirty tent can be set up and washed like a car or it can be washed in a bathtub using your hands to agitate the water or a soft brush.



Thank you for purchasing a quality product from GIGATENT.

This troubleshooting guide is designed to help you sort out some of the possible problems you might encounter with your new tent.

If you are still having problems with your purchase please contact us at 877-836-8701 or email us at customerservice@gigatent.com

TROUBLESHOOTING GUIDE

PROBLEM	SOLUTION
CONDENSATION	Condensation is caused by lower temperatures outside the tent which causes moisture vapor from humidity inside the tent and sleepers' respiration to form water droplets on the walls and is mostly visible in the corners. To prevent this from happening keep all objects away from the walls and open up windows to allow the moisture to escape.
MILDEW	To avoid mildew which can damage a tents waterproofing be sure to never store your tent damp or worse wet. If mildew occurs you can use a product such as McNett Mirazyme to clean your tent or you can use a product solution of lemon juice concentrate and water to wash the area. After this you will want to wash the area with soap and water and then let it dry COMPLETELY before storing.
TEARS OR SMALL HOLES	Tears and small holes can be fixed temporarily by using an adhesive patch kit found in most camping stores. For long term patches it is best to bring your tent to a repair facility or for minor repairs you can use McNett Seam Grip. Simply follow the instructions and this will provide a durable permanent patch.
ZIPPER PROBLEMS	Zippers have 2 parts, the slider which is the part that opens and closes the zipper, and the zipper teeth. What normally happens is the zipper separates behind the slider. If this carefully move the slider back past the separation and re-zip. If this fails to fix the problem you may require a new zipper slider or a new complete zipper which a repair facility may fix for you.
SEAM LEAKAGE	Seams can leak through the needle holes so applying a product such as McNett Seam Grip to your tent before going camping is the best thing to do. We have seam sealed the rainfly for you but as a minimum we suggest sealing the seam along the base of all the windows and along the batch tub floor seams as this is the most likely place for leakage.

WARNING!



WARNING!
KEEP ALL FLAME AND
HEAT SOURCES AWAY
FROM THIS PRODUCT FABRIC

This product was not designed to be left out in the sunlight for extended periods of time. Prolonged UV exposure will rapidly break down the fabric of this product. UV damage is not covered under our warranty.

WARNING : NEVER LEAVE CHILDREN UNATTENDED IN TENT.

Keep all Flame and Heat away from tent and tent fabric.

This tent meets flammability requirements of **CPAI-84**.

THIS TENT IS NOT FIRE PROOF.

IF LEFT IN OPEN FLAME THE TENT WILL BURN.

CAUTION: Never use any fuel-burning or oxygen-consuming devices, or any devices that produce fumes, including stoves, lanterns, candles, hibachis or heaters in or around your tent. This can result in carbon monoxide poisoning, injury or death.

WARNING: KEEP ALL FLAME AND HEAT SOURCES AWAY FROM THIS TENT FABRIC.

This tent meets the flammability requirements of CPAI-84. The fabric may burn if left in continuous contact with any flame source. The application of any foreign substance to the product fabric may render the flame resistant properties ineffective.

DO NOT...

1. Do not pitch tent near an open flame.
2. Do not leave campfires unattended.
3. Do not allow CHILDREN or ADULTS to use lighted candles, matches or other flame sources in or near tents.
4. Do not use heating, lighting or cooking equipment with open flames in or near tents.
5. Do not use fuel burning/oxygen consuming devices (i.e. heaters, lanterns or other flame sources inside your tent at any time.
6. Do not spray with insecticide.
7. **EXTREME CAUTION:** Never use any fuel burning/oxygen device, or any device that produces fumes (including stoves, lanterns, candles, hibachis or heaters) in or around your tent. Inhalation of fumes may result in carbon monoxide poisoning, injury and/ or death.

DO...

1. Always extinguish campfire before leaving area.
2. Exercise care when using electricity and lighting in and near tents.
3. Disassemble and store tent properly after camping to ensure the tent's longevity.
4. Always use a hammer/mallet when driving stakes into the ground.

WARRANTY

WARRANTY TERM:

5 Years from date of purchase

WHAT IS COVERED:

Warrants to the original purchaser that its products are free from defects in material and workmanship.

WHAT IS NOT COVERED:

Shall not be responsible for the natural breakdown of materials that occurs inevitably with extended use (e.g., Ultraviolet (UV) light damage on tents, exhausted zippers), or defects caused by accident, abuse, alteration, animal attack, storm damage, misuse or improper care.

WHAT WE WILL DO:

If after inspection we find that product failed due to a manufacturing or material defect, we will repair or place the product, at our option, without charge.

HOW TO OBTAIN WARRANTY SERVICE:

Return the product, freight prepaid, to GIGATENT Customer Service Department. For return authorization e-mail our office and obtain an Authorization number. Authorization numbers are valid for 30 days from the date of issuance, and must be obtained within 30 days of ship date. Returns will be handled in a timely matter. Collect shipments or shipments without return authorization will not be accepted.

REPAIRS:

If your product needs service or repair due to normal wear and tear, animal attack, accident or some other reason that is not covered under the warranty, we will provide the necessary service for a reasonable charge, plus shipping and handling. We require that products accepted for any repair MUST be properly cleaned according to our recommended care instructions. Please send your product or component that requires repair (e.g. tent fly), postage prepaid, along with a description of what needs attention.

REPLACEMENT PARTS:

Replacement parts may be ordered online at gigatent.com. Click on "Replacement Parts" and then click on the Replacement Form. All listed fields require information.

We accept Visa, Master Card and American Express.

